

# LIGHT COMMERCIAL INCANDESCENT DOWNLIGHTING



- 1 LH660
- 2 LR680
- 3 LR678

## ■ APPLICATIONS

LIGHT COMMERCIAL AND RESIDENTIAL ENVIRONMENTS WHERE WARM HALOGEN AND INCANDESCENT LIGHT OUTPUT IS DESIRED.

## ■ BENEFITS AND FEATURES

- UNMATCHED COLOR RENDERING.
- EASILY DIMMED WITH STANDARD DIMMERS.
- VISUAL CUT-OFF FROM LAMP.
- ADJUSTABLE SOCKET HEIGHT AND LAMP DIRECTION.
- BUDGET FRIENDLY.
- NO BALLAST OR TRANSFORMER REQUIRED.

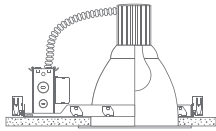
## SECTION CONTENTS

LH660 Series - 6" Light Commercial Incandescent Recessed	160- 161
LH880 Series - 8" Light Commercial Incandescent Recessed	162- 163



# LIGHT COMMERCIAL INCANDESCENT DOWNLIGHTING OVERVIEW

## HOUSINGS



### VERTICAL POSITION

FOR GENERAL ILLUMINATION WITH MAXIMUM LUMEN OUTPUT.  
AVAILABLE IN 4", 6", 8" AND 10"

## LAMPS



**HALOGEN PAR**  
AVG. LIFE • 1,000 - 5,000 HRS.  
20W - 300W

### DESCRIPTION

AVAILABLE IN DIFFERENT SIZES THAT ARE DEFINED IN THE LAMP CODE, THE HALOGEN PAR20, PAR30, AND PAR38 LAMPS PROVIDE WELL DEFINED BEAM PATTERNS WITH INTEGRAL PARABOLIC REFLECTORS, THESE LAMPS ARE WIDELY AVAILABLE IN DIFFERENT BEAM PATTERNS AND WATTAGES.



**A19**  
AVG. LIFE • 1,000 - 3,000 HRS.  
15W - 100W

COMMONLY KNOWN AS GENERAL SERVICE LAMPS, THESE INCANDESCENT LAMPS ARE WIDELY AVAILABLE AND HAVE A LOW INITIAL COST. THEY EMIT A SMOOTH DIFFUSED LIGHT IN ALL DIRECTIONS AND INSTANTLY TURN ON.

## AVAILABLE FINISHES



## TRIM STYLES

### DOWNLIGHTS

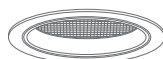
FOR GENERAL ILLUMINATION ALONG A HORIZONTAL SURFACE.

### ADJUSTABLE

FOR FLEXIBLE LIGHTING DESIGN THAT ALLOWS FULL RANGE OF MOTION TO LAMP SOURCE.

### FULLY LENSED

FOR PROTECTION TO LAMP SOURCE BY PROVIDING A BARRIER BETWEEN HARSH ENVIRONMENT AND LAMP.



LIGHT COMMERCIAL  
INCANDESCENT DOWNLIGHTING  
**QUICK FINDER**

▣ **LH660 SERIES - 6" LIGHT COMMERCIAL INCANDESCENT RECESSED LIGHTING**



**HOUSING**  
LH660

Pg. 160



**TRIMS**  
LR671, LR677, LR678,  
LR680

Pg. 161

▣ **LH880 SERIES - 8" LIGHT COMMERCIAL INCANDESCENT RECESSED LIGHTING**



**HOUSING**  
LH880

Pg. 162

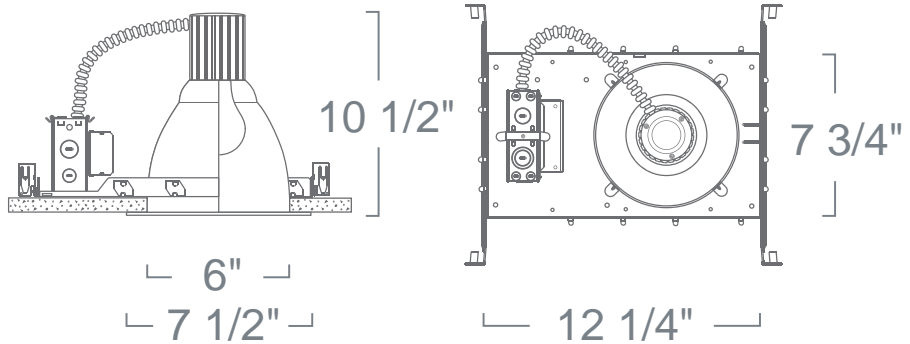


**TRIMS**  
LR871, LR878

Pg. 163



LH660 • Architectural Housing



**PHOTOMETRIC DATA**

6" Clear Specular HighZak Reflector  
 Lamp: (1)100W A19  
 Initial Rated Lamp Lumens : 1750  
 Initial Luminaire Efficiency : 70.6%  
 CIE Type : Direct  
 Spacing Ratio : 1.26

Report File# LL1090306A.IES  
 By : Light Laboratory, Inc.  
 LM-63-2002

Ceiling cut-out: 6 1/2"

**Lamp :** 120V 150W PAR38/A19 MED E26

**Application:** Architectural-grade recessed downlight housing for low to medium height ceilings and commercial installations. A variety of trims, compatible styles and finishes are available to achieve the proper décor and illumination.

**Housing & Mounting Frame:** 18 gauge galvanized flat frame with powder coat finish. Supplied with (2) 24" adjustable bar hangers (90 degrees repositioning ability). Bar hangers equipped with (nail-less installation) 3/4" serrated barbed studs for secure mounting in wood joists. Can also be mounted to grid panel ceiling. Earthquake structural cable compatible for drop panel ceiling or any other mounting that requires direct support from structural ceilings.

**Socket Cap:** Extruded aluminum socket cap, 1 1/4" vertically adjustable socket arm with set screw which enables the use of multiple lamp types and repositioning to optimize lamp performance. Furnished with heat sink fins to vent lamp heat and extend lamp life. Accepts compatible reflector trims.

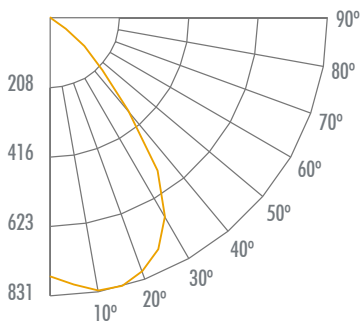
**Socket:** Standard porcelain medium screw base socket with high temperature leads.

**Junction Box:** 16 gauge pre-wired galvanized steel double Junction Box, 64 cubic-inch for a maximum of (8) #12 AWG wires. Furnished with (10) 3/4", (2) 1" and (8) Romex knock-outs. Strain clamps to install or remove covers for easy access and ground wire. Equipped with safety standard die-cast aluminum fitting for flex-conduit.

**Insulation Contact:** Non IC rated housing must be kept 3" from insulation.

**Safety Labels:** ETL/CETL listed for through-branch wiring (8) No.12 AWG 90°C and suitable for damp locations. NYC approved: Calendar #41937.

**CANDLE POWER DISTRIBUTION**



**INITIAL FOOTCANDLES** (Beam angle : 92°)

Height (Feet)	Circle Diameter	Footcandles at center	Footcandles at edge
2	4.1	193.8	19.4
4	8.3	48.4	4.8
6	12.4	21.5	2.2
8	16.6	12.1	1.2
10	20.7	7.8	0.8
12	24.9	5.4	0.5
14	29.0	4.0	0.4
16	33.1	3.0	0.3
18	37.3	2.4	0.2
20	41.4	1.9	0.2

Example: LH660

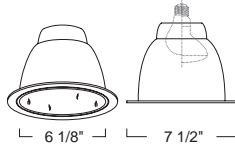
**Wattage**

**LH660** 150W

2008.6.10

LR671 • Reflector

120V 150W PAR30/A19 MED E26



- | Reflector Finish                      | Ring Finish   |
|---------------------------------------|---|
| <input type="checkbox"/> LR671W White | <input type="checkbox"/> <input checked="" type="checkbox"/> White Ring |
| <input type="checkbox"/> LR671C Clear |   |
| <input type="checkbox"/> LR671G Gold  |   |
| <input type="checkbox"/> LR671S Satin |   |

LR677 • Open Kick Plate Wall Wash

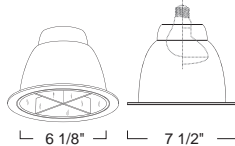
120V 150W PAR30/A19 MED E26



- | Baffle Finish                              | Ring Finish  |
|--|--|
| <input type="checkbox"/> LR677C Clear      | <input type="checkbox"/> <input checked="" type="checkbox"/> White |
| <input type="checkbox"/> LR677S Satin Haze |  |

LR678 • Cross Blade Reflector

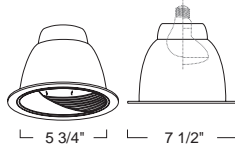
120V 150W Max PAR30/PAR38/A19/A21 MED E26



- | Reflector Finish                           | Ring Finish  |
|--|--|
| <input type="checkbox"/> LR678W White      | <input type="checkbox"/> <input checked="" type="checkbox"/> White   |
| <input type="checkbox"/> LR678C Clear      | <input type="checkbox"/> <input checked="" type="checkbox"/> B Black |
| <input type="checkbox"/> LR678S Satin Haze |  |

LR680 • Baffle w/ Eyelid Wall Wash

120V 150W PAR30/A19 MED E26



- | Baffle Finish                                    | Ring Finish   |
|--|---|
| <input type="checkbox"/> LR680W White            | <input type="checkbox"/> <input checked="" type="checkbox"/> White Ring |
| <input checked="" type="checkbox"/> LR680B Black |   |



The 6" 120V Incandescent Light Commercial reflector trims produce a low, bright illumination with a choice of reflector and trim ring finish combinations. Perfect for lobbies, corridors, garages and the like. The compatible housing has a vertically adjustable socket bracket that lets the user control the lumen output and glare.

The A lamp and PAR lamp sources are relatively economical and are widely available in different wattages, color temperatures and beam spreads (PAR30).

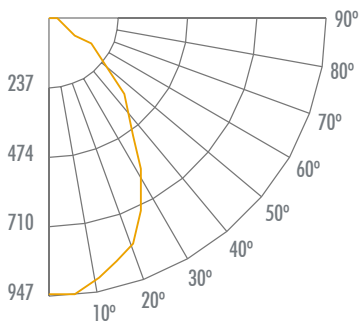


**PHOTOMETRIC DATA**

8" Clear Reflector with Prismatic Lens  
 Lamp: (1)150W A21  
 Initial Rated Lamp Lumens : 2780  
 Initial Luminaire Efficiency : 46.4%  
 CIE Type : Direct  
 Spacing Ratio : 1.04

Report File# LLI010504A.IES  
 By : Light Laboratory, Inc.  
 LM-63-2002

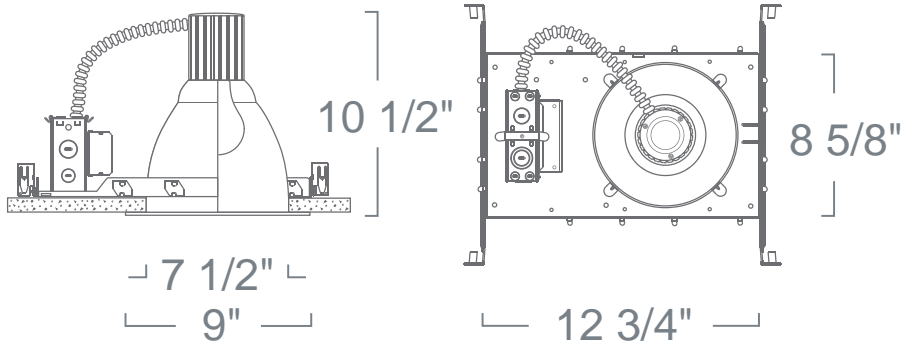
**CANDLE POWER DISTRIBUTION**



**INITIAL FOOTCANDLES** (Beam angle : 90°)

Height (Feet)	Circle Diameter	Footcandles at center	Footcandles at edge
2	4.0	235.2	24.4
4	8.0	58.4	5.8
6	12.0	27.0	2.6
8	16.0	13.2	1.5
10	20.0	9.4	0.9
12	24.0	6.5	0.7
14	28.0	4.8	0.5
16	32.0	3.7	0.4
18	36.0	2.9	0.3
20	40.0	2.3	0.2

**LH880 • Architectural Housing**



Ceiling cut-out: 8 1/8"

**Lamp :** 120V 150W PAR38/A19 MED E26

**Application:** Architectural-grade recessed downlight housing for medium to high ceilings for commercial installations. A variety of trims, compatible styles and finishes are available to achieve the proper décor and illumination.

**Housing & Mounting Frame:** 18 gauge galvanized flat frame with powder coat finish. Supplied with (2) 24" adjustable bar hangers (90 degrees repositioning ability). Bar hangers equipped with (nail-less installation) 3/4" serrated barbed studs for secure mounting in wood joists. Can also be mounted to grid panel ceiling. Earthquake structural cable compatible for drop panel ceiling or any other mounting that requires direct support from structural ceilings.

**Socket Cap:** Extruded aluminum socket cap, 1 1/4" vertically adjustable socket arm with set screw which enables the use of multiple lamp types and repositioning to optimize lamp performance. Furnished with heat sink fins to vent lamp heat and extend lamp life. Accepts compatible reflector trims.

**Socket:** Standard porcelain medium screw base socket with high temperature leads.

**Junction Box:** 16 gauge pre-wired galvanized steel Junction Box, 32 cubic-inch for a maximum of (8) #12 AWG wires. Furnished with (6) 3/4" and (4) Romex knock-outs. Strain clamps to install or remove covers for easy access and ground wire. Equipped with safety standard fitting for flex-conduit.

**Insulation Contact:** Non IC rated housing must be kept 3" from insulation.

**Safety Labels:** ETL/CETL listed for through-branch wiring (8) No.12 AWG 90°C and suitable for damp locations. NYC approved: Calendar #41937.

Example: LH880

**Wattage**

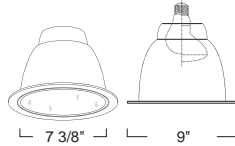
**LH880** 150W

2008.6.10

LR871 • Reflector



120V 200W PAR38/A19 MED E26



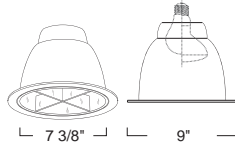
**Reflector Finish**    **Ring Finish**

- |  |  |
|--|--|
| <input type="checkbox"/> <b>LR871W</b> White | <input type="checkbox"/> <input checked="" type="checkbox"/> White |
| <input type="checkbox"/> <b>LR871C</b> Clear |  |
| <input type="checkbox"/> <b>LR871G</b> Gold  |  |
| <input type="checkbox"/> <b>LR871S</b> Satin |  |

LR878 • Cross Blade Reflector



120V 200W PAR38/A19 MED E26



**Reflector Finish**

- |   |
|---|
| <input type="checkbox"/> <b>LR878CCF</b> Clear Reflector/Clear Finish           |
| <input type="checkbox"/> <b>LR878CNF</b> Clear Reflector/Natural Flange         |
| <input type="checkbox"/> <b>LR878CWF</b> Clear Reflector/White Finish           |
| <input type="checkbox"/> <b>LR878SSF</b> Satin Haze Reflector/Satin Haze Flange |
| <input type="checkbox"/> <b>LR878WWF</b> White Reflector/White Flange           |



The 8" 120V Incandescent Light Commercial reflector trims produce a low, bright illumination with a choice of reflector and trim ring finish combinations. Perfect for high ceiling lobbies, corridors, garages and the like. The compatible housing has a vertically adjustable socket bracket that lets the user control the lumen output and glare.

The A lamp and PAR lamp sources are relatively economical and are widely available in different wattages, color temperatures and beam spreads (PAR30).