

## LHALD413 - 4" ARCHITECTURAL L.E.D. (900 LUMEN LED) 4" ARCHITECTURAL L.E.D. DOWNLIGHTING



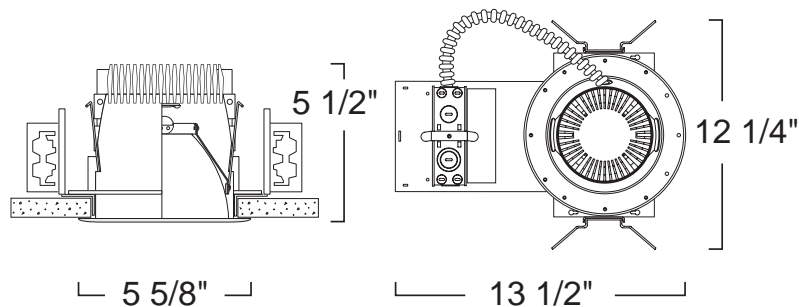
### PROJECT INFORMATION

Type :

Project :

Catalog # :

### FEATURE(S):



### SPECIFICATION

Ceiling cut-out: 5-1/16"

120V/277V 13W L.E.D.

**Application:** Architectural-grade recessed downlight housing for low to medium height ceilings and commercial installations. A variety of trims, compatible styles and finishes are available to achieve the proper décor and illumination. Reflector designed for minimal glare from lamp without sacrificing lumen output.

**Housing Frame:** 16 gauge galvanized plaster ring with powder coat finish, six friction clips secure trim to housing for ceilings up to 1 3/4" thick. Triple slot bat-wing hanger brackets accommodate multiple bar hanger systems.

**Mounting:** Housing suitable for new construction installations only, Bat-Wing bar hanger brackets adjust vertically 3 1/4" for multiple ceiling types and accepts 1/2" EMT. 26" C-Channel Strut for T-bar ceilings and 27" adjustable linear hanger bars for plaster ceilings or wood/metal joists. Heavy duty 16-gauge, die-formed galvanized steel. Bar hangers optional. Steel V-Spring allow for easy installation of Heat-Sinked Reflector trim.

**Driver:** 120V/277V AC 50/60Hz Electronic Direct Current Class 2 driver integrally mounted on large access Junction Box. Input current 0.50 Amps at 115VAC. Power Factor > 0.90. Operating Temperature: -30°C to +80°C. Accessible from above or below ceiling. Consult Factory for dimming options and compatible dimmers.

**Power Connection:** LED lamp array is replaceable via on board quick disconnect terminal. Meets CA Title 24 Requirements and other standards restricting the use of Medium Base or Bi-Pin Sockets.

**Thermal Management:** Heat dissipation facilitated by exposed integral aluminum heat sink to maximize heat rejection in an open air environment. Recommended ambient temperature is below 50 degrees Celsius.

**Junction Box:** 16 gauge pre-wired galvanized steel double Junction Box, 64 cubic-inch for a maximum of (8) #12 AWG wires. Furnished with (10) 3/4", (2) 1" and (8) Romex knock-outs. Strain clamps to install or remove covers for easy access and ground wire. Equipped with safety standard die-cast aluminum fitting for flex-conduit.

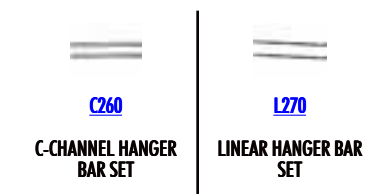
**Insulation Contact:** Non IC rated housing must be kept 3" from insulation.

**Safety Labels:** ETL/CETL listed. Suitable for damp locations. NYC approved: Calendar #41937.

**Construction:** One piece self-flanged design enables a clean trim finish, without the need for a secondary trim ring. Heavy-gauge aluminum reflector prevents ugly dents during shipping and installation. Iridescent-free reflective coating minimizes unsightly rainbow effect.

**Warranty:** Covered by a 3 Year Warranty to be free of defects in materials and craftsmanship. Recommended for applications where ambient temperatures do not exceed 35°C, installations exceeding this amount will result in reduced LED lamp life and a voided warranty.

### COMPATIBILITY



**Trims:** Available in Satin Haze Reflector/ White Flanged and White Reflector/ White Flanged.

**Label:** E.T.L. Listed

**Assembled in U.S.A.**

#### L.E.D. Details:

13W 600 + Lumens Delivered  
Color Rendering Index (CRI): 80  
Color Temperature: 3,000K  
Estimated Life: 45,000 hr. L70  
Lamp Equivalents: 75W PAR30, PAR38, 18W CFL

Note: Wattage limitations on compatible items must be met.

### ORDERING

ORDERING EXAMPLE : LHALD413C105UE-EM/LRALD4WWF060

LHALD413	OPTIONS	TRIMS
LHALD413	C105UE :Standard	/LRALD4SWF060 :Satin Haze Reflector/ White Flanged
	C105UE-D10 :0-10V 10% Dimming	/LRALD4WWF060 :White Reflector/ White Flanged
	C105UE-DLI :1% DALI Dimming	
	C105UE-EM :Emergency (Remote)	

2012.1.23

4" ARCHITECTURAL L.E.D. DOWNLIGHTING

File Located online [www.liton.com/spec](http://www.liton.com/spec)

ID #: 2250

