

LHCM6 - T6 DOWNLIGHT HOUSING

6" DUAL REFLECTOR H.I.D. HOUSING



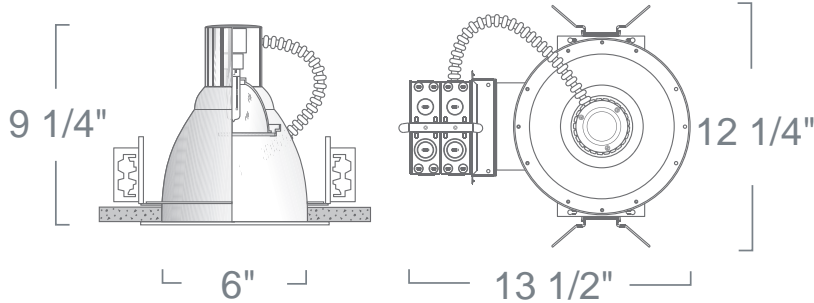
PROJECT INFORMATION

Type :

Project :

Catalog # :

FEATURE(S):



SPECIFICATION

Ceiling cut-out: 6 3/4"

H.I.D. 70W Max T6/ T4.5 G12

Application: Architectural-grade recessed downlight housing for low to medium height ceilings and commercial installations. A variety of trims, compatible styles and finishes are available to achieve the proper décor and illumination.

Housing Frame: 16 gauge galvanized plaster ring with powder coat finish, six friction clips secure trim to housing for ceilings up to 1 1/4" thick. Triple slot bat-wing hanger brackets accommodate multiple bar hanger systems.

Mounting: Housing suitable for new construction installations only, Bat-Wing bar hanger brackets adjust vertically 3 1/4" for multiple ceiling types and accepts 1/2" EMT. 26" C-Channel Strut for T-bar ceilings and 27" adjustable linear hanger bars for plaster ceilings or wood/metal joists. Heavy duty 16-gauge, die-formed galvanized steel. Bar hangers optional.

Socket Cap: Extruded aluminum socket cap, 1 1/4" vertically adjustable socket arm with set screw which enables the use of multiple lamp types and repositioning to optimize lamp performance. Furnished with heat sink fins to vent lamp heat and extend lamp life. Accepts compatible reflector trims.

Socket: Pulse-Rated 4KV, porcelain Bi-Pin G12 socket with high temperature leads and nickel-plated contacts.

Junction Box: 16 gauge pre-wired galvanized steel double Junction Box, 64 cubic-inch for a maximum of (8) #12 AWG wires. Furnished with (10) 3/4", (2) 1" and (8) Romex knock-outs. Strain clamps to install or remove covers for easy access and ground wire. Equipped with safety standard die-cast aluminum fitting for flex-conduit.

Insulation Contact: Non IC rated housing must be kept 3" from insulation.

Covered by a 3 Year Warranty to be free of defects in materials and craftsmanship.

Label: U.L. Listed, E.T.L. Listed

Assembled in U.S.A.

COMPATIBILITY

 C260 C-CHANNEL HANGER BAR SET	 L270 LINEAR HANGER BAR SET	 LR6711 HIZAK REFLECTOR TRIM
 LR6713 BAFFLE W/ PRISMATIC LENS		

Note: Wattage limitations on compatible items must be met.

ORDERING

ORDERING EXAMPLE : LHCM6020A

LHCM6	WATTAGE	BALLAST	OPTION
LHCM6	020A :20W 039A :39W 070A :70W	Blank :Electronic (120V) -27 :Electronic (277V)	Blank :None /C260 :(2)26" C- Channel Hanger Bars /L270 :(2)27" Linear Hanger Bars