

## LR449 - DECO GLASS OPEN DOME REFLECTOR

6" COMPACT FLUORESCENT TRIMS - LH276 SERIES

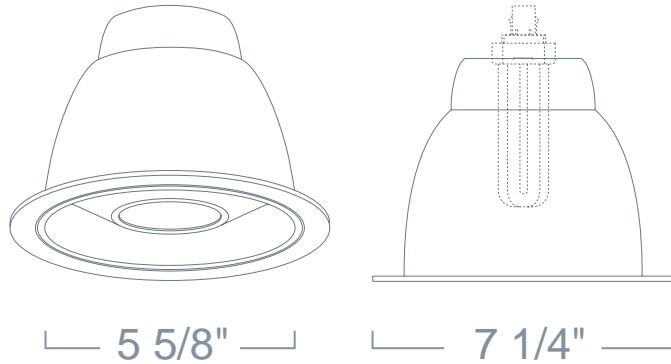


### PROJECT INFORMATION

Type :

Project :

Catalog # :



FEATURE(S):



### SPECIFICATION

CFL 18W Max DTT  
32W TTT

**Application:** Decorative glass trims add a unique architectural dimension to your lighting design. These attractive glass trims that emit a warm and glowing illumination are available in various colors. Each glass trim and color combination will create an artful illumination that compliments any interior environment.

**Mounting** Steel pressure springs mounted on trim to ensure positive retention inside housing.

**Reflector Finish:** Spun Aluminum Reflector Available in White, Black, Clear, Gold and Satin Haze.

**Ring Finish:** Die-Formed Aluminum Trim Ring Available in White, Black, Gold, Natural and Mocha.

**Glass:** Quality tempered glass adds a decorative element. Available in Amber, Blue and Frosted.

**Label:** U.L. Listed, E.T.L. Listed

**Limitation:** Not for use w/Shallow Housings.

### COMPATIBILITY

 <b>LH276</b> STANDARD HOUSING 1-LAMP (ELECTRONIC)	 <b>LH276IC</b> IC HOUSING 1-LAMP (ELECTRONIC)	 <b>LH276IC</b> IC HOUSING 1-LAMP (MAGNETIC)
 <b>LH276R</b> REMODEL HOUSING (ELECTRONIC)	 <b>LH276R</b> REMODEL HOUSING (MAGNETIC)	 <b>LH276RICA</b> REMODEL IC AIRTIGHT HOUSING

Note: Wattage limitations on compatible items must be met.

### ORDERING

ORDERING EXAMPLE : LR449WN-AM

LR449	REFLECTOR FINISH	RING FINISH	GLASS
<b>LR449</b>	<b>W</b> :White	<b>Blank</b> :White	<b>-AM</b> :Amber
	<b>B</b> :Black	<b>B</b> :Black	<b>-BL</b> :Blue
	<b>C</b> :Clear	<b>G</b> :Gold	<b>-FR</b> :Frosted
	<b>G</b> :Gold	<b>N</b> :Natural	
	<b>S</b> :Satin Haze	<b>MO</b> :Mocha	