

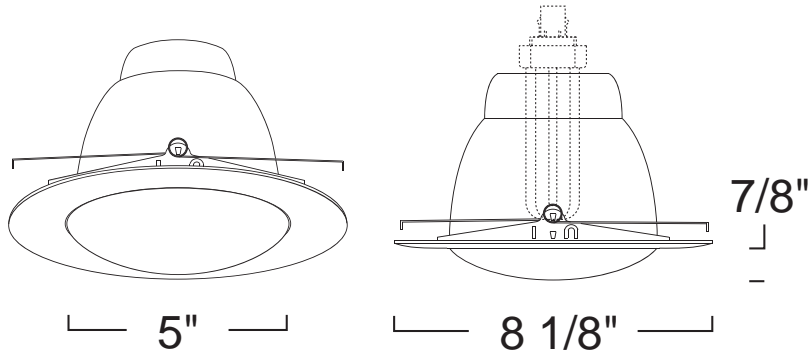
Type :

Project :

Catalog # :

LRS14 - FROSTED DOME W/ REFLECTOR

6" COMPACT FLUORESCENT TRIMS - LH276 SERIES



FEATURE(S):



SPECIFICATION

CFL (1) 13-32W Max DTT/TTT

Application: The Reflector Lensed trim optimizes lumen output, ensuring that all stray light is directed downward. Each shower trim has a clear reflector mounted inside the trim to create a more intense and focused light.

Mounting Steel pressure springs mounted on trim to ensure positive retention inside housing.

Inner Reflector: Comes standard in a spun specular inner reflector. Only available in Clear.

Ring Finish: Die-Formed Aluminum Trim Ring Available in White (Plastic), Chrome, Gold, Natural, Copper and Mocha.

Label: U.L. Listed, E.T.L. Listed

COMPATIBILITY

 LH276 STANDARD HOUSING 1-LAMP (ELECTRONIC)	 LH276IC IC HOUSING 1-LAMP (ELECTRONIC)	 LH276IC IC HOUSING 1-LAMP (MAGNETIC)
 LH276R REMODEL HOUSING (ELECTRONIC)	 LH276R REMODEL HOUSING (MAGNETIC)	 LH276RICA REMODEL IC AIRTIGHT HOUSING

Note: Wattage limitations on compatible items must be met.

ORDERING

ORDERING EXAMPLE : LRS14PW-WL

LRS14	INNER REFLECTOR	RING FINISH	RATING
LRS14	Blank:Clear	PW :White (Plastic) MC :Chrome MG :Gold MN :Natural MCO :Copper MO :Mocha	Blank :Damp Location -WL :Wet Location